



# RAVIN®

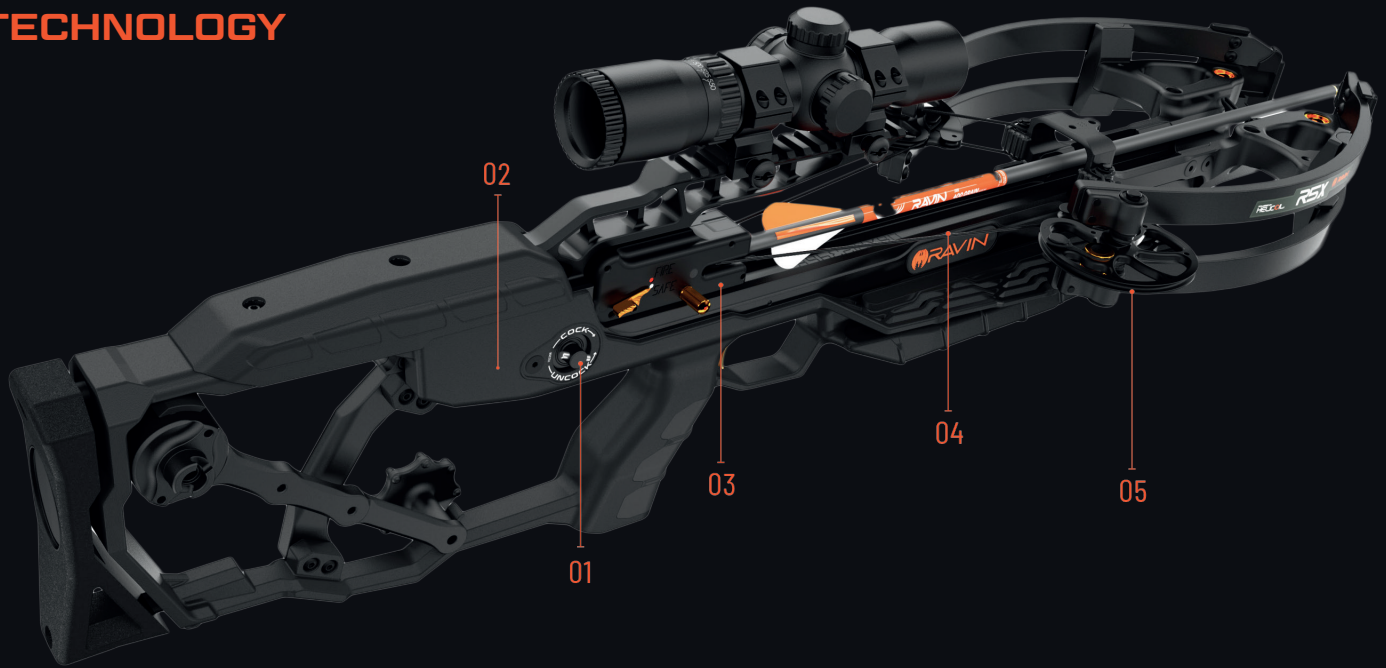
## RAVINR5X

### SPECIFICATIONS

SPEED (400 GR.)	400 FPS
KINETIC ENERGY	142 FT-LBS
WEIGHT	6.7 LBS
LENGTH	31"
WIDTH (COCKED)	5.75" AXLE - AXLE

WIDTH (UNCOCKED)	9.25" AXLE - AXLE
POWER STROKE	9.5"
POWERED BY	HELICOIL TECHNOLOGY
DRAW FORCE	12 LBS
OUT - OF - BOX	FULLY ASSEMBLED / PRE - TUNED

### TECHNOLOGY



#### 01 VERSA-DRAW™ COCKING SYSTEM

One of the revolutionary design advantages provided by HeliCoil technology is the Versa-Draw Cocking System. Working in conjunction with the Trac-Trigger Firing System this ultra-compact fully integrated cocking mechanism is built into the sleek stock design. Featuring a minimal 12 pounds of cocking force the Versa-Draw Cocking System is ambidextrous and has the ability to cock and un-cock your Ravin crossbow. This unique HeliCoil advantage provides an easy to use, fully integrated cocking mechanism delivering unmatched accuracy with every shot.

#### 02 SILENT COCKING

The Fully Integrated Silent Cocking System works in conjunction with the Trac Trigger Firing System and includes a built-in one way bearing removing any noise, resulting in a completely silent draw. The cocking mechanism allows you to stop the draw cycle at any time during the cocking process. They'll never hear you coming.

#### 03 TRAC-TRIGGER™ FIRING SYSTEM

A patented built-in trigger mechanism that slides forward on the rail and clasps directly to the precise center of the string every time the bow is drawn, allowing for straight-line nock travel. This unique HeliCoil advantage creates a perfectly balanced draw for unmatched down range accuracy with every shot.

#### 04 FRICTIONLESS™ FLIGHT SYSTEM

This patented technology allows the arrow and string to free float above the rail, eliminating friction for consistent accuracy and increased string and cable life. This unique HeliCoil advantage delivers astounding target accuracy with every shot.

#### 05 HELICOIL® TECHNOLOGY

The engine behind Ravin crossbows. This revolutionary technology has several industry changing advantages that all work together to create the most accurate crossbow ever designed. HeliCoil technology coils cables away from both the top and bottom of the cams in helical grooves keeping the cams perfectly balanced. This allows the cams to rotate an incredible 340 degrees, while both cams remain perfectly level when drawing and shooting the crossbow. This revolutionary design creates an incredibly compact crossbow packed full of innovative features that produce rifle-like downrange accuracy.